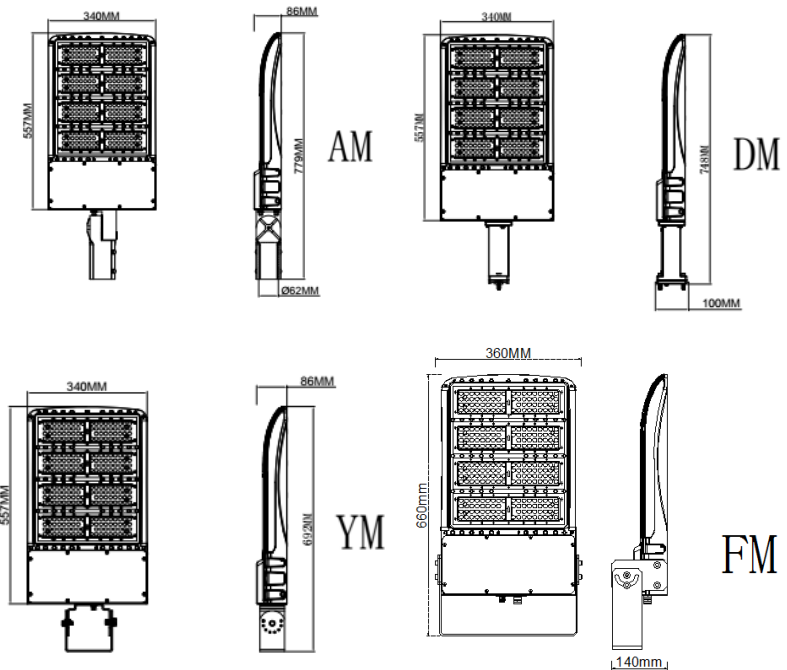


TECHNICAL DATA SHEET



NAME: LED Parking Lot Light

P/N: SZ-PK300WSAT3{1,2,3,4,5,6,}-5700K

- AM: ADJUSTABLE SLIPFITTER MOUNTING
- DM: DIRECT MOUNTING
- YM: YOKE MOUNTING
- FM: FLOOD MOUNTING

Advantage:

- UL certificate
- PHILIPS LUMILEDS Chip, high CRI
- SOSEN IP65 driver, input voltage 100-277VAC
- No UV or IR in the beam
- Easy to install and operate
- Energy saving, long lifespan
- Light is soft and uniform, safe to eyes
- Instant start, NO flickering, NO humming
- Green and eco-friendly without mercury.



Application:

1. Outdoor basketball court, tennis court.
2. Badminton court, the football field.
3. The school playground, stadium.
4. Community leisure entertainment plaza, road lamp etc.



TECHNICAL DATA SHEET

Product Specifications

Product name	LED Parking Lot Light
Part No	SZ-PK300WSAT3{1,2,3,4,5,6,}-5700K
Dimension	779*340*86mm 30.66x13.38x3.38 inches

Technical Characteristic

Color temperature	5700K
CRI	>70
Lumen	36000-41000LM
Lumen Efficacy	120-135 LM/W
Input Power	300W
Viewing Angle	150*85 Degree (Type III)
Input Voltage	100-277V 50/60Hz
Driver model	SOSEN Driver (1-10Vdc Dimmer)
PFC	>0.9
Waterproof Rating	IP65

Materials

LED Brand	PHILIPS LUMILEDS
LED Type	3030 2D (1.5W)
LED QTY	280PCS
Housing	Aluminum Alloy
Housing color	Black
Operating Temperature	-20°C TO 45°C
Operating Humidity	20%-90% RH
Storage Temperature	-30°C TO 80°C

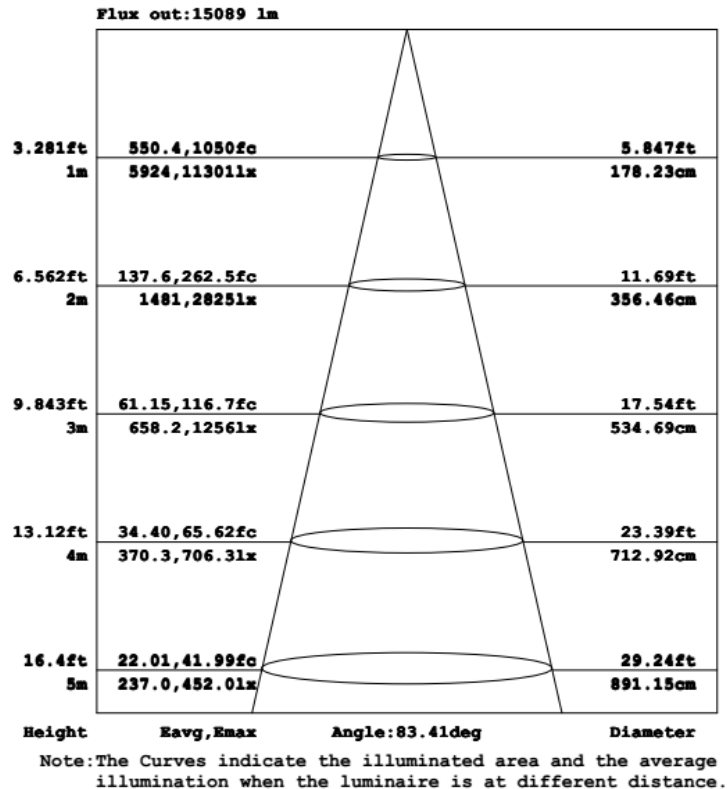
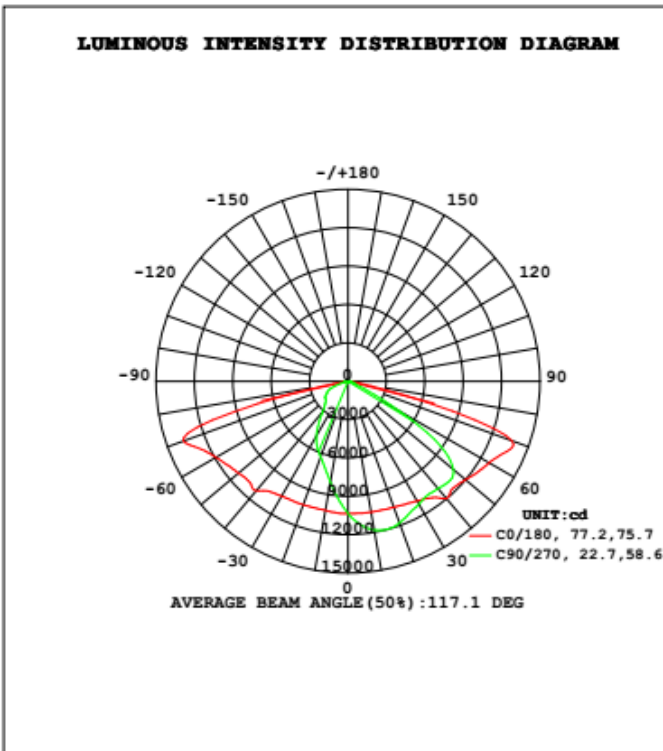
Others

Storage Humidity	10%-95%
Application	Outdoor
Safety Certification	UL
Warranty Time	5 Years

TECHNICAL DATA SHEET

Light Distribution Testing Parameters

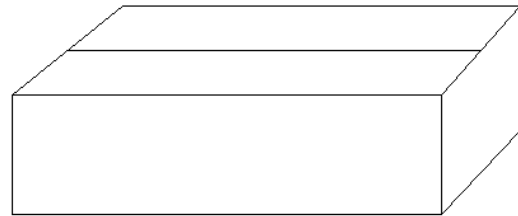
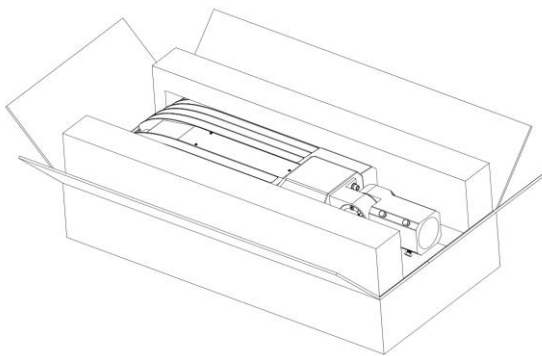
DATA OF LAMP		PHOTOMETRIC DATA Eff: 127.95 lm/W			
		I _{max} (cd)	18382	S/MH (C0/180)	1.63
NOMINAL POWER (W)	300	LOR (%)	100.0	S/MH (C90/270)	0.74
RATED VOLTAGE (V)	120	TOTAL FLUX (lm)	39390	η UP, DN (C0-180)	0.1, 67.3
NOMINAL FLUX (lm)	39390.4	CIE CLASS	DIRECT	η UP, DN (C180-360)	0.1, 32.5
LAMPS INSIDE	1	η up (%)	0.2	CIBSE SHR NOM	1.25
TEST VOLTAGE (V)	120.0	η down (%)	99.8	CIBSE SHR MAX	1.35



TECHNICAL DATA SHEET

Package

Model	Lamps Net Weight	Size	Qty/Carton	Weight/Carton
SZ-PK300WSAT3{1,2,3,4,5,6,}-5700K	11.3KG 24.91 LBS	820*390*145 MM	1	12.7 KG



Notice for User

- ◆ Please turn off power before install or change assembly parts.
- ◆ The input voltage and lamps should be matched, after connecting the power line, Please make sure the wiring section is insulated.
- ◆ No-professionals, must not install and disassemble the lamps.

Trouble Shootings

Troubles	Check points
Flickering of the light	Turn off the power and turn on again in 3 minutes. If same phenomena occur, then call agencies
Out of working	Please check the connection