

# TECHNICAL DATA SHEET

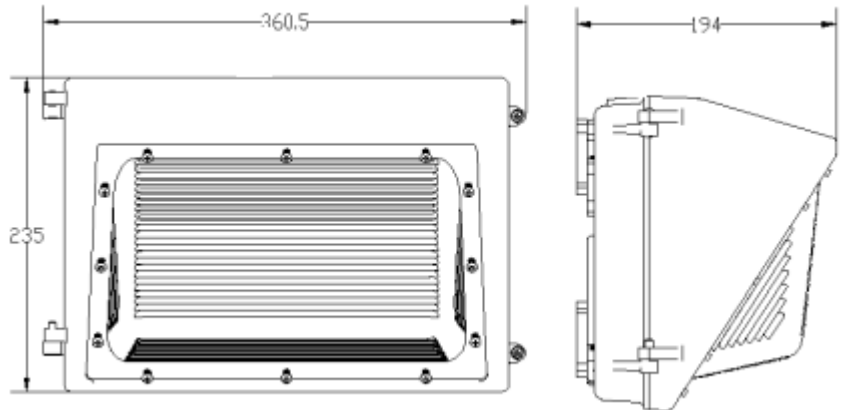


NAME: LED Wall Pack

P/N: SZ-WP80WA

### Advantage:

- UL cUL DLC certificate
- IP65 Internal driver, Input voltage 100-277VAC
- No UV or IR in the beam
- Easy to install and operate
- Energy saving, long lifespan
- Light is soft and uniform, safe to eyes
- Instant start, NO flickering, NO humming
- Green and eco-friendly without mercury.



### Application:

- ◆ entrance lighting, courtyard lighting
- ◆ Industrial lighting, Outdoor landscape lighting;
- ◆ Building, The hotel;
- ◆ Wall lighting area and so on.

### Product Specifications

Product name	LED Wall Pack
Part No	
Dimension	360.5*235*194mm 14.19x9.25x7.64 inches

# TECHNICAL DATA SHEET

## Technical Characteristic

Color temperature	3000K	3500K	4000K	4500K	5000K	5700K
CRI	>80					
Lumen	9600LM					
Lumen Efficacy	120LM/W					
Input Power	80W					
Viewing Angle	110 Degree					
Input Voltage	100-277VAC		50/60Hz			
Driver model	China Brand Driver					
PF	>0.9					
Waterproof Rating	IP65					

## Materials

LED Type	3030 / 1.5W
LED QTY	102 PCS
Housing	Aluminum(ADC12) +PC
Housing color	Brown

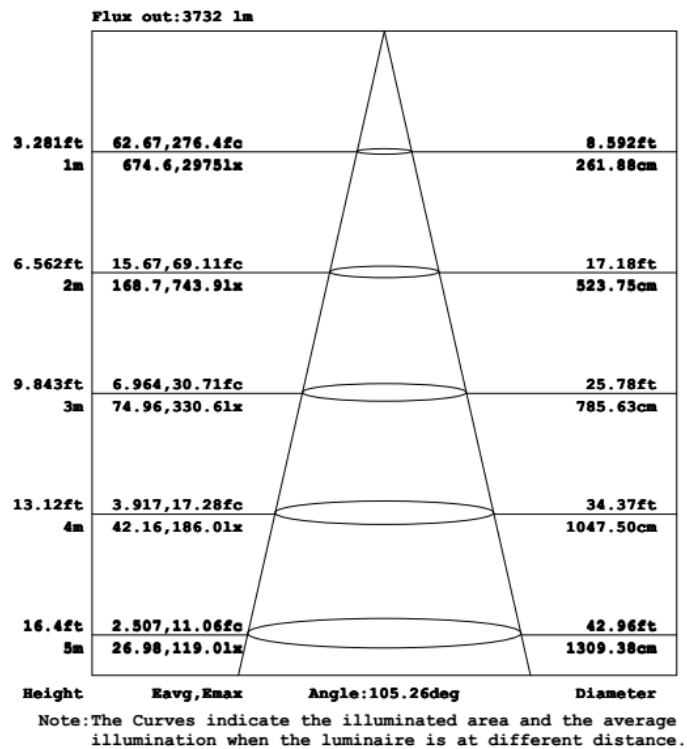
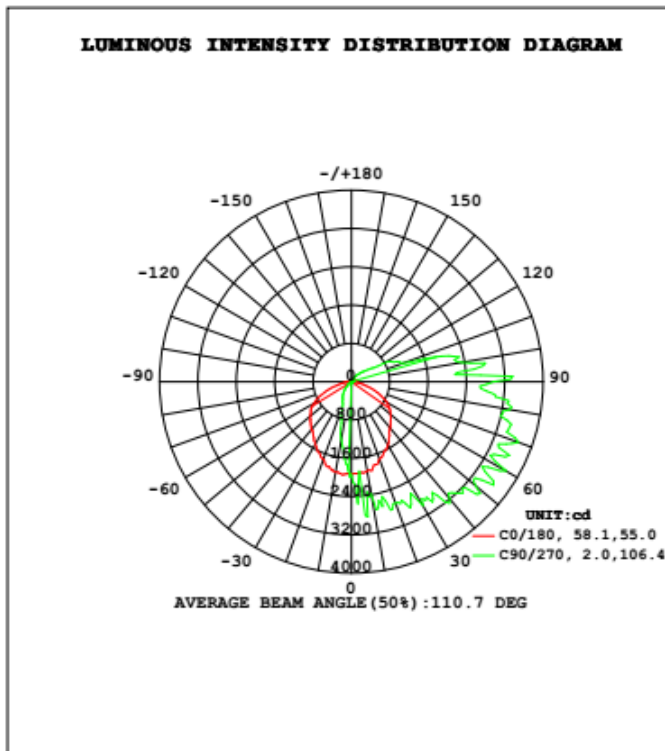
## Others

Operating Temperature	-20°C TO 45°C
Operating Humidity	20%-90% RH
Storage Temperature	-30°C TO 80°C
Storage Humidity	10%-95%
Application	Outdoor / Indoor
Safety Certification	UL、cUL、DLC
Warranty Time	5 Years

# TECHNICAL DATA SHEET

## Light Distribution Testing Parameters

DATA OF LAMP		PHOTOMETRIC DATA <span style="float: right;">Eff: 123.92 lm/W</span>			
MODEL		I <sub>max</sub> (cd)	3724	S/MH (C0/180)	1.17
NOMINAL POWER (W)	80	LOR (%)	100.0	S/MH (C90/270)	0.45
RATED VOLTAGE (V)	120	TOTAL FLUX (lm)	9885.1	η UP, DN (C0-180)	19.6, 69.7
NOMINAL FLUX (lm)	9885.13	CIE CLASS	SEMI-D.	η UP, DN (C180-360)	0.5, 10.3
LAMPS INSIDE	1	η up (%)	20.1	CIBSE SHR NOM	1.00
TEST VOLTAGE (V)	120.0	η down (%)	79.9	CIBSE SHR MAX	1.15





## TECHNICAL DATA SHEET

### Package

Lamps Net Weight: 3.8 kg / pc

	Size	Qty/ Carton	Weight/ Carton
Cardboard	390*270*245mm	1	3.8 KG

### Notice for User

- ◆ Please turn off power before install or change assembly parts.
- ◆ The input voltage and lamps should be matched, after connecting the power line, Please make sure the wiring section is insulated.
- ◆ No-professionals, must not install and disassemble the lamps.

### Trouble Shootings

Troubles	Check points
Flickering of the light	Turn off the power and turn on again in 3 minutes. If same phenomena occur, then call agencies
Out of working	Please check the connection