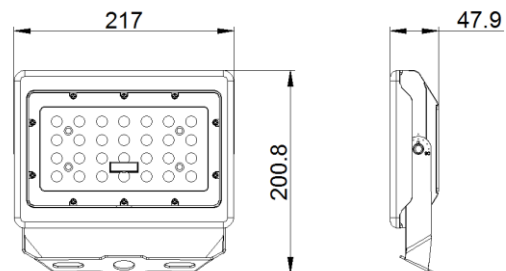
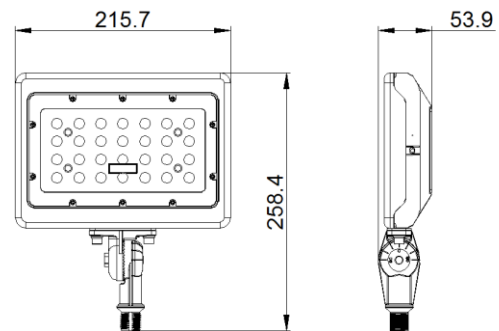
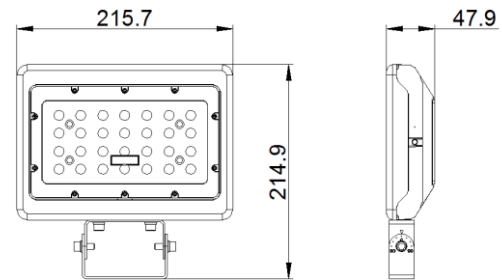




NAME: LED Flood Light

P/N: PRD-FL06-50WXYA1



### Advantage:

- UL cUL certificate
- Philips Lumileds Chip, High CRI
- China brand IP65 driver, Input voltage 100-277Vac
- No UV or IR in the beam
- Easy to install and operate
- Energy saving, Long lifespan
- Instant start, NO flickering, NO humming
- Green and eco-friendly without mercury.

# TECHNICAL SPECIFICATION

## Application:

- ◆ Factory floor, libraries, square, park;
- ◆ Supermarkets, railway stations;
- ◆ Advertising lighting, etc.

## Product Specifications

Product name	LED Flood Light
Part No	PRD-FL06-30WXYA1
Dimension L x W x H	YM: 214.9 x 215.7 x 47.9 mm 8.46 x 8.49 x 1.89 in
	AM: 258.4 x 215.7x 53.9 mm 10.17 x 8.49 x 2.12 in
	FM: 200.8x 217 x 47.9 mm 7.90 x 8.54 x 1.89 in

## Technical Characteristic

Color temperature	4000 - 5700K
CRI	>70
Lumen	6000-6800 LM
Input Power	50W
Viewing Angle	7H7V (>130°)
Input Voltage	100-277Vac 50/60Hz
Driver model	China brand driver
PF	>0.9
Waterproof Rating	WET (IP65)

## Materials

### PRIDE LED

Tel: 877-899-3466

www.prideled.com

E-mail:sales@prideled.com

# TECHNICAL SPECIFICATION

LED Brand	PHILIPS LUMILEDS
LED Type	LUXEON 3030 2D
LED QTY	56PCS
Housing	Aluminum +PC+Steel
Housing color	Black、 Brown

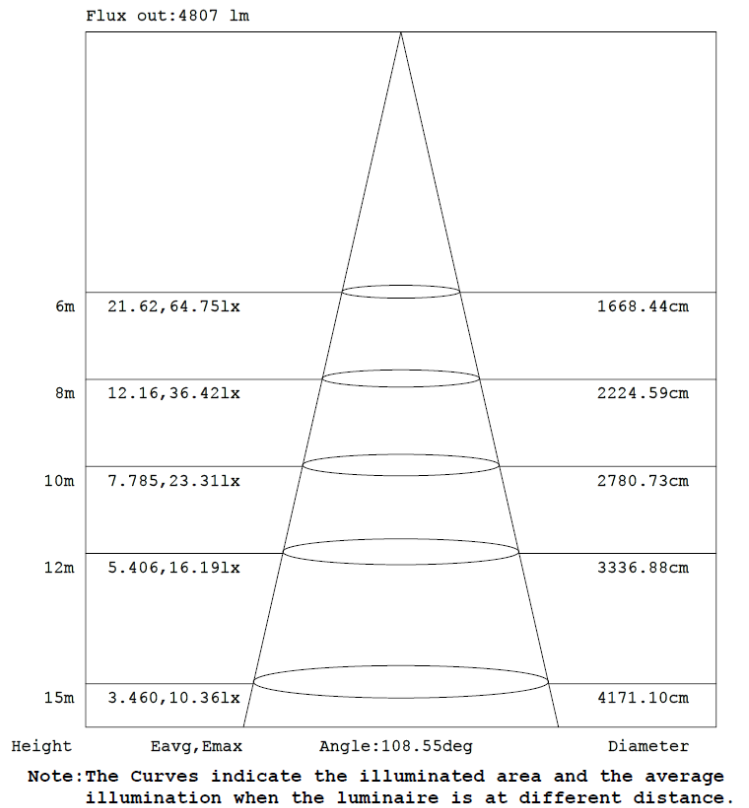
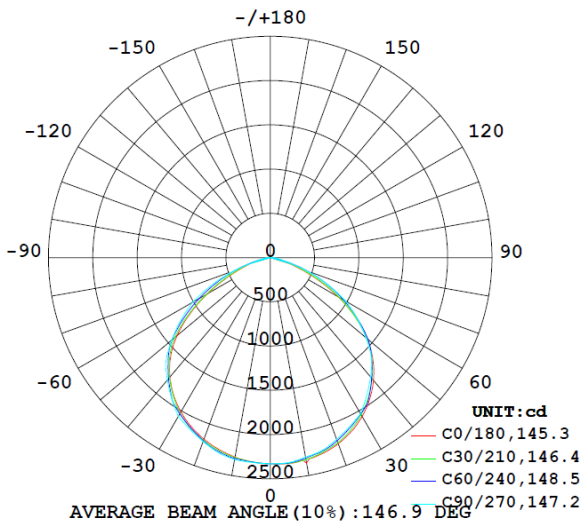
Operating Temperature	-20°C TO 45°C
Operating Humidity	20%-90% RH
Storage Temperature	-30°C TO 80°C
Storage Humidity	10%-95%
Application	Outdoor / Indoor
Safety Certification	UL、 cUL
Warranty Time	5 Years

## Others

## Light Distribution Testing Parameters

DATA OF LAMP		PHOTOMETRIC DATA      Eff: 119.56 lm/W			
MODEL		I <sub>max</sub> (cd)	2356	S/MH (C0/180)	1.28
NOMINAL POWER (W)	50	LOR (%)	100.0	S/MH (C90/270)	1.31
RATED VOLTAGE (V)	120	TOTAL FLUX (lm)	6225.1	η UP, DN (C0-180)	0.0, 49.7
NOMINAL FLUX (lm)	6225.08	CIE CLASS	DIRECT	η UP, DN (C180-360)	0.0, 50.3
LAMPS INSIDE	1	η up (%)	0.0	CIBSE SHR NOM	1.25
TEST VOLTAGE (V)	120	η down (%)	100.0	CIBSE SHR MAX	1.35

# TECHNICAL SPECIFICATION

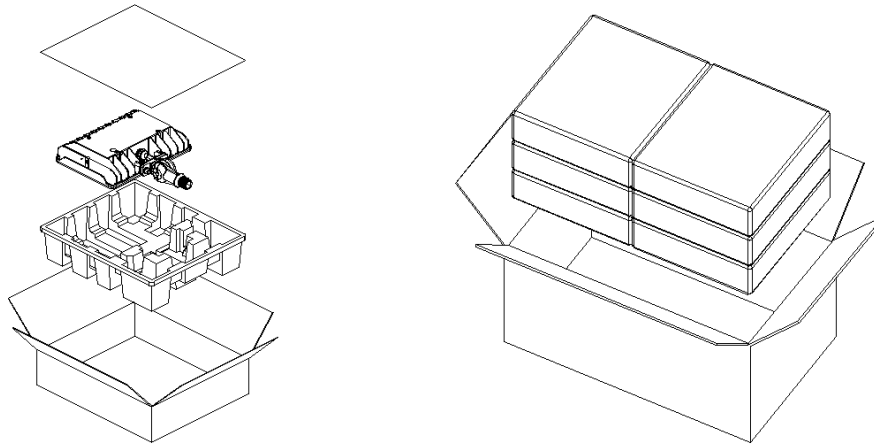


## Package

**Lamps Net Weight: 1.64kg / PC or 3.62 lbs. /PC**

	Size	Qty/ Carton	Weight/ Carton
Inner box	305 x 260x 77 mm 12 x 10.24 x 3.03 in	1	2.0 KG 4.41 LBS
Outer box	535 x 325x 255 mm 21.06 x 12.79 x 10.04 in	6	12.84 KG 28.31 LBS

# TECHNICAL SPECIFICATION



## Notice For User

- ◆ Please turn off power before install or change assembly parts.
- ◆ The input voltage and lamps should be matched, after connecting the power line, Please make sure the wiring section is insulated.
- ◆ No-professionals, must not install and disassemble the lamps.

## Trouble Shootings

Troubles	Check points
Flickering of the light	Turn off the power and turn on again in 3 minutes. If same phenomena occur, then call agencies
Out of working	Please check the connection