

TECHNICAL SPECIFICATION



ADJUSTABLE FITTER MOUNTING



DIRECT MOUNTING



YOKE MOUNTING



FLOOD MOUNTING

NAME: LED ShoeBox Light

P/N: PRD-S90SST3YA1

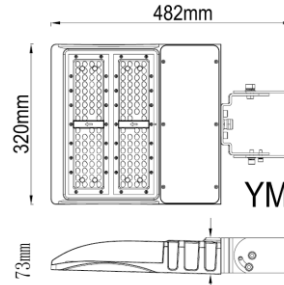
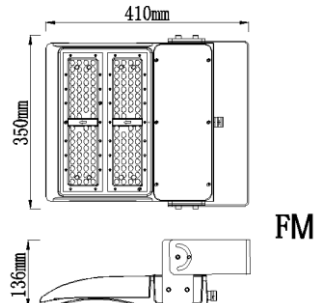
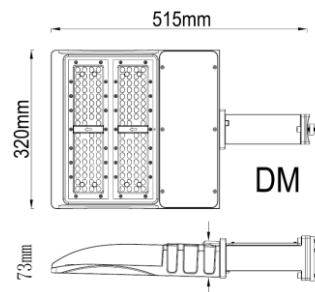
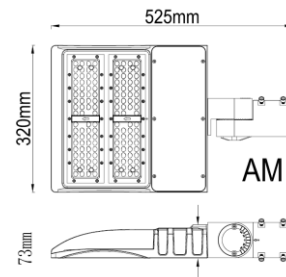
Note: The Letter Y in P/N stands for

AM: ADJUSTABLE FITTER MOUNTING

DM: DIRECT MOUNTING

YM: YOKE MOUNTING

FM: FLOOD MOUNTING



Advantage:

- UL cUL DLC certificate
- Philips Lumileds Chip, high CRI
- IP65 driver, Input voltage 100-277Vac
- 150*85° lens angle
- Optional light-controlled and surge protection function
- No UV or IR in the beam
- Easy to install and operate
- Energy saving, Long lifespan
- Light is soft and uniform, Safe to eyes
- Instant start, NO flickering, NO humming
- Green and eco-friendly without mercury.

Application:

- Outdoor basketball court, tennis court.
- Badminton court, the football field.
- The school playground, stadium.
- Community leisure entertainment plaza, road lamp etc.

TECHNICAL SPECIFICATION

Product Specifications

Product name	LED ShoeBox Light
Part No	PRD-S90SST3YA1
Dimension L x W x H	PRD-S90SST3AMA1: 525x320x73 mm 20.67x12.60x2.87 in
	PRD-S90SST3DMA1: 515x320x73 mm 20.28x12.60x2.87 in
	PRD-S90SST3YMA1: 482x320x73 mm 18.98x12.60x2.87 in
	PRD-S90SST3FMA1: 410x350x136 mm 16.14x13.78x5.35 in

Technical Characteristic

Color temperature	4000K	5000K	5700K
CRI	>70		
Lumen	12150-13000LM		
Lumen Efficacy	135-145 LM/W		
Input Power	90W		
Viewing Angle	150*85 Degree (Type III)		
Input Voltage	100-277Vac 50/60Hz		
Driver model	China Brand Driver		
PFC	>0.9		
Waterproof Rating	IP65		

Materials

LED Brand	PHILIPS LUMILEDS
LED Type	LUXEON 3030 2D (1.5W)
LED QTY	112 PCS
Optional Accessory	Photocell Surge protector
Housing	Aluminum
Housing color	Black、Brown

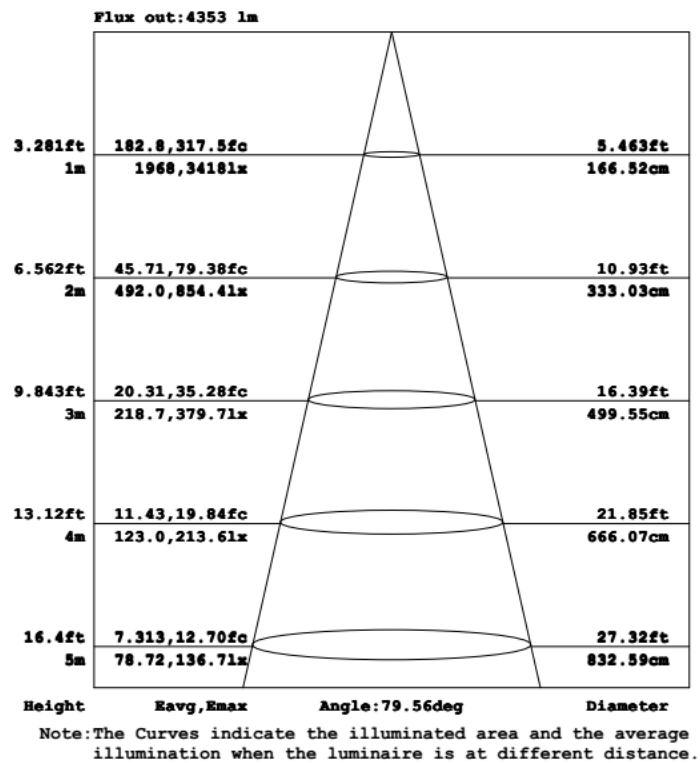
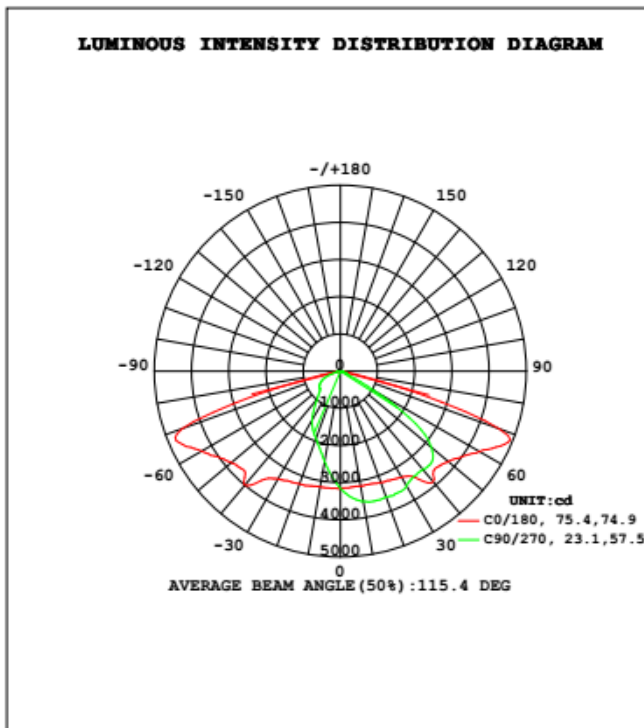
TECHNICAL SPECIFICATION

Others

Operating Temperature	-20°C TO 45°C
Operating Humidity	20%-90% RH
Storage Temperature	-30°C TO 80°C
Storage Humidity	10%-95%
Application	Outdoor / Indoor
Safety Certification	UL、cUL、DLC
Warranty Time	5 Years

Light Distribution Testing Parameters

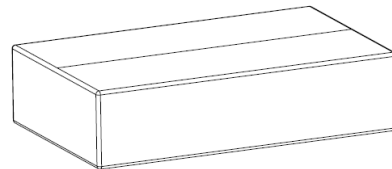
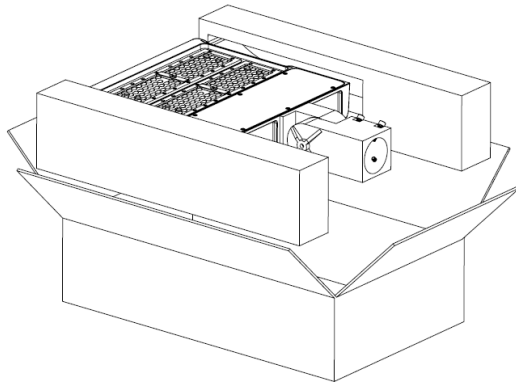
DATA OF LAMP		PHOTOMETRIC DATA Eff: 138.78 lm/W			
MODEL		I _{max} (cd)	6447	S/MH (C0/180)	1.81
NOMINAL POWER (W)	90	LOR (%)	100.0	S/MH (C90/270)	0.75
RATED VOLTAGE (V)	120	TOTAL FLUX (lm)	12412	η UP, DN (C0-180)	0.1, 67.0
NOMINAL FLUX (lm)	12411.9	CIE CLASS	DIRECT	η UP, DN (C180-360)	0.1, 32.8
LAMPS INSIDE	1	η up (%)	0.2	CIBSE SHR NOM	1.50
TEST VOLTAGE (V)	120.0	η down (%)	99.8	CIBSE SHR MAX	1.55



TECHNICAL SPECIFICATION

Package

	Lamps Net Weight	Size	Qty/ Carton	Weight/ Carton
Outer box (PRD-S90SST3AMA1)	6.7 KG 14.77 LBS	570 x 360 x 140mm 22.44x14.17x5.51 in	1	7.7 KG 16.98 LBS
Outer box (PRD-S90SST3DMA1)	6.2 KG 13.67 LBS	570 x 360 x 140mm 22.44x14.17x5.51 in	1	7.2 KG 15.87 LBS
Outer box (PRD-S90SST3YMA1)	6.3 KG 13.89 LBS	570 x 360 x 140mm 22.44x14.17x5.51 in	1	7.3 KG 16.09 LBS
Outer box (PRD-S90SST3FMA1)	6.4 KG 14.11 LBS	385 x 360 x 160mm 15.16x14.17x6.30 in	1	7.3KG 16.09 LBS



Notice For User

- ◆ Please turn off power before install or change assembly parts.
- ◆ The input voltage and lamps should be matched, after connecting the power line, Please make sure the wiring section is insulated.
- ◆ No-professionals, must not install and disassemble the lamps.

Trouble Shootings

Troubles	Check points
Flickering of the light	Turn off the power and turn on again in 3 minutes. If same phenomena occur, then call agencies
Out of working	Please check the connection