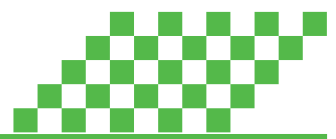
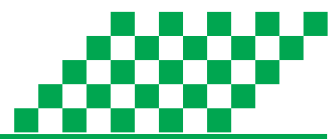


# LED Highbay Light



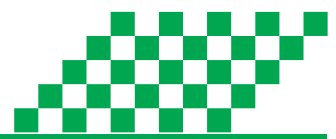
The specification of G5 ( the fifth generation ) highbay





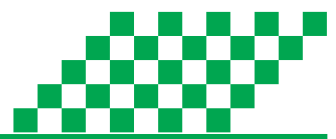
## 100-200W Technical Parameters:

Product Name	G5 100W LED Highbay light	G5 150W LED Highbay light	G5 200W LED Highbay light
Part No	ZC-HB05-100W-B-XXXX	ZC-HB05-150W-B-XXXX	ZC-HB05-200W-B-XXXX
LED Type	Samsung 2835	Samsung 2835	Samsung 2835
LED QTY	160 PCS	225 PCS	285 PCS
Luminous flux	130LM/W (CCT=5000K) 5%	130LM/W (CCT=5000K) 5%	130LM/W (CCT=5000K) 5%
Luminous Flux	13000LM (CCT=5000K) 5%	19500LM (CCT=5000K) 5%	26000LM (CCT=5000K) 5%
CCT	3000K, 4000K, 5000K, 5700K, 6500K	3000K, 4000K, 5000K, 5700K, 6500K	3000K, 4000K, 5000K, 5700K, 6500K
Beam Angle	60° / 90° / 120°	60° / 90° / 120°	60° / 90° / 120°
CRI	>80Ra	>80Ra	>80Ra
System Efficiency	>90	>90	>90
PowerSupply	MeanWell/Sosen	MeanWell/Sosen	MeanWell/Sosen
Input Voltage	AC100-277V	AC100-277V	AC100-277V
Power Frequency	50/60Hz	50/60Hz	50/60Hz
Output Voltage	DC28.8-48V	DC28.8-48V	DC28.8-48V
Output Current	2A(Constant Corrent)	3.3A(Constant Corrent)	4.1A(Constant Corrent)
Power Efficiency	>90%	>90%	>90%
Power Factor	>0.90	>0.90	>0.90
Total Harmonic Distortion	<15%	<15%	<15%
System Power consumption	100W±5W	150W±5W	200W±5W
LED Power Consumption	93W±5W	140W±5W	190W±5W
Fixture Material	ADC12 Aluminum alloy	ADC12 Aluminum alloy	ADC12 Aluminum alloy
Ingress Protection	Ip65	Ip65	Ip65
Net Weight	2.95kg±0.3kg	3.5kg±0.3kg	4.4kg±0.3kg
Gross weight	3.75kg±0.5kg	4.3kg±0.5kg	5.3kg±0.5kg
Life span	>50000Hrs(Ta=30℃ @LM70)	>50000Hrs(Ta=30℃ @LM70)	>50000Hrs(Ta=30℃ @LM70)
Junction Temperature	<75℃(Ta=30℃)	<75℃(Ta=30℃)	<75℃(Ta=30℃)
Storage Temperature	(-40~+70℃)	(-40~+70℃)	(-40~+70℃)
Operating Temperature	(-30~+50℃)	(-30~+50℃)	(-30~+50℃)
Operating Humidity	15-90%RH	15-90%RH	15-90%RH
Outlook Dimensions	Φ302*183mm	Φ302*180.5mm	Φ336*198.5mm
Cartion size	L310*W310*H195mm	L310*W310*H195mm	L350*W350*H200mm

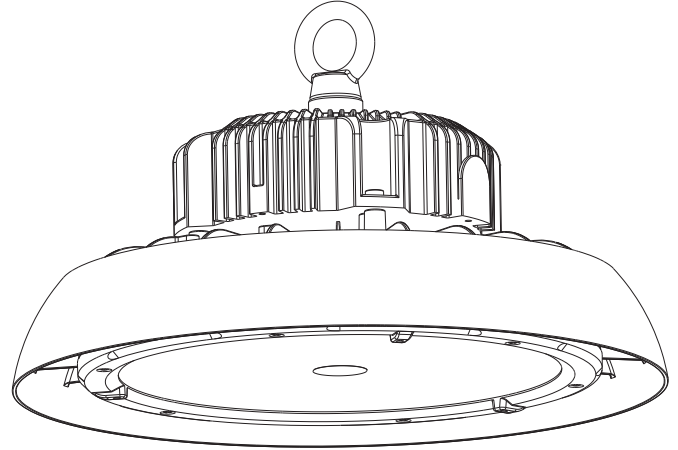
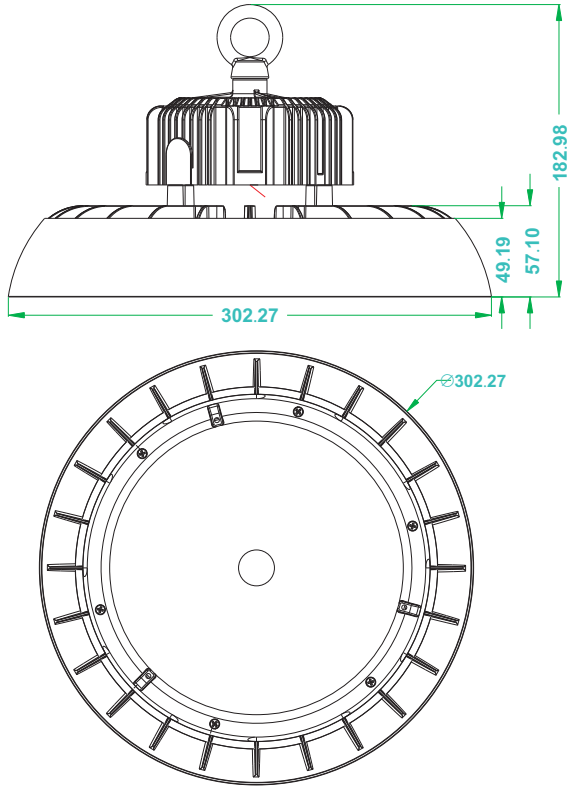


## G5 240W-300W Technical Parameters:

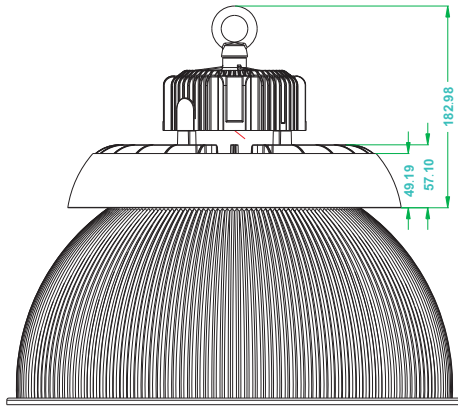
Product Name	G5-240W LED Highbay light		
Part No	ZC-HB05-240W-B-XXXX		
LED Type	Samsung 2835		
LED QTY	285 PCS		
Luminous flux	130LM/W (CCT=5000K) 5%		
Luminous Flux	31200LM (CCT=5000K) 5%		
CCT	3000K, 4000K, 5000K, 5700K, 6500K		
Beam Angle	60° / 90° / 120°		
CRI	>80Ra		
System Efficiency	>90		
PowerSupply	MeanWell/Sosen		
Input Voltage	AC100-277V		
Power Frequency	50/60Hz		
Output Voltage	DC28.8-48V		
Output Current	5A(Constant Corrent)		
Power Efficiency	>90%		
Power Factor	>0.90		
Total Harmonic Distortion	<15%		
System Power consumption	240W±5W		
LED Power Consumption	230W±5W		
Fixture Material	ADC12 Aluminum alloy		
Ingress Protection	Ip65		
Net Weight	5.1kg±0.3kg		
Gross weight	5.9kg±0.5kg		
Life span	>50000Hrs(Ta=30°C @LM70)		
Junction Temperature	<75°C(Ta=30°C)		
Storage Temperature	(-40~ +70°C)		
Operating Temperature	(-30~ +50°C)		
Operating Humidity	15-90%RH		
Outlook Dimensions	Φ336*200.5mm		
Cartion size	L350*W350*H200mm		



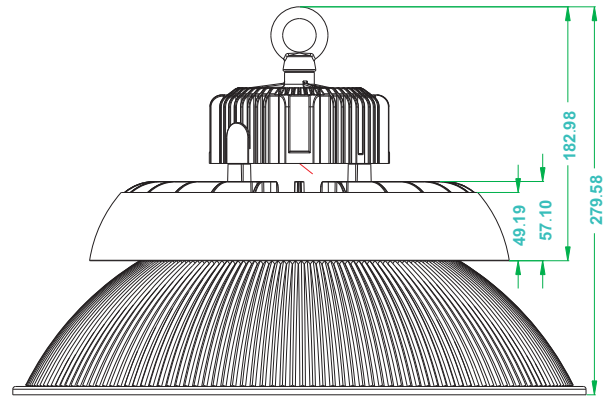
## 100W Size



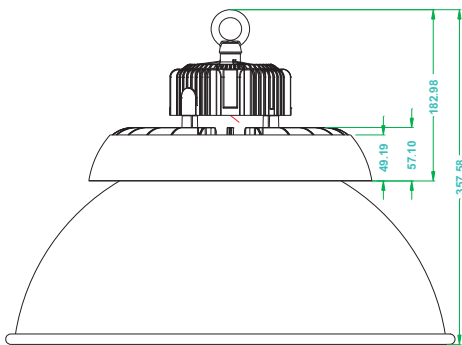
## 60° PC Reflector



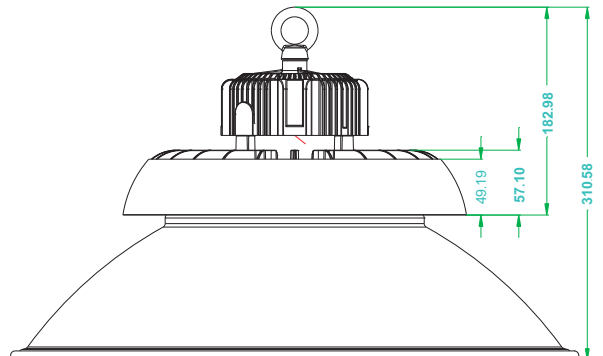
## 90° PC Reflector



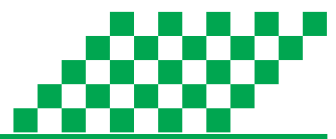
## 60° AL Reflector



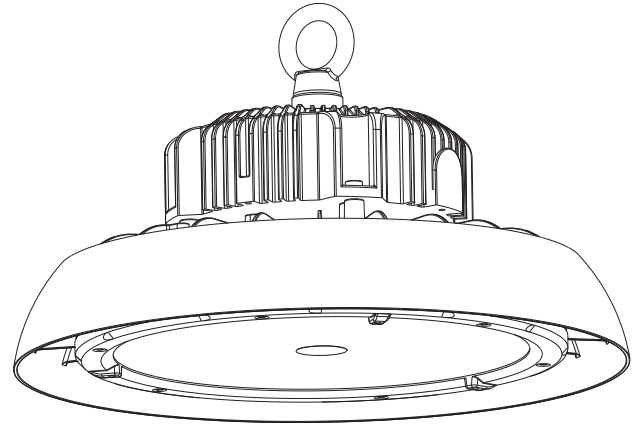
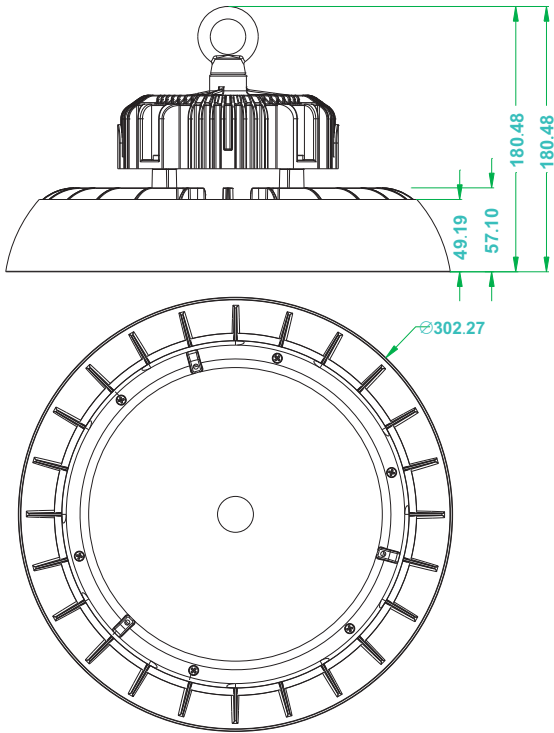
## 90° AL Reflector



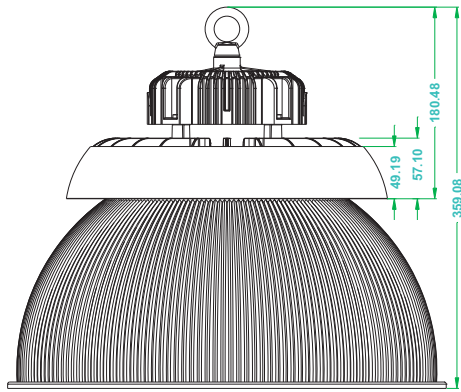




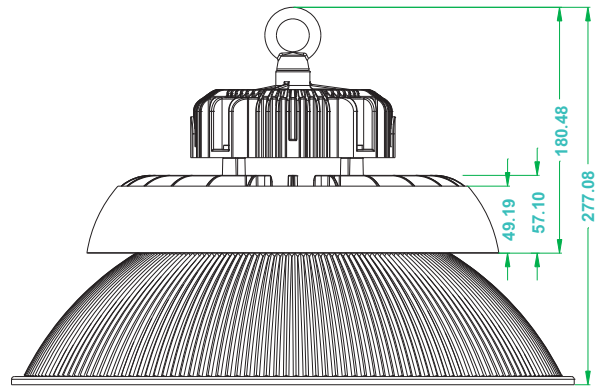
## 150W Size



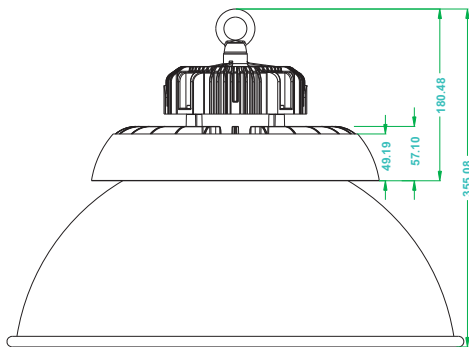
## 60° PC Reflector



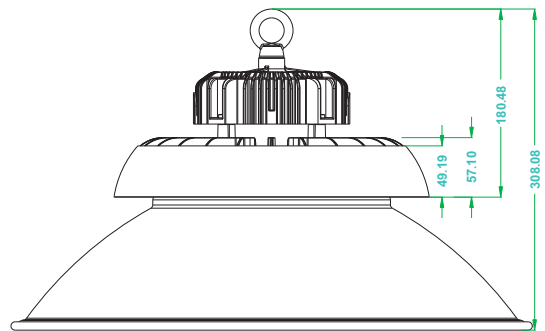
## 90° PC Reflector

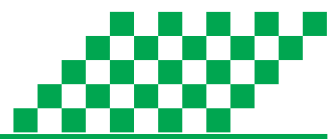


## 60° AL Reflector

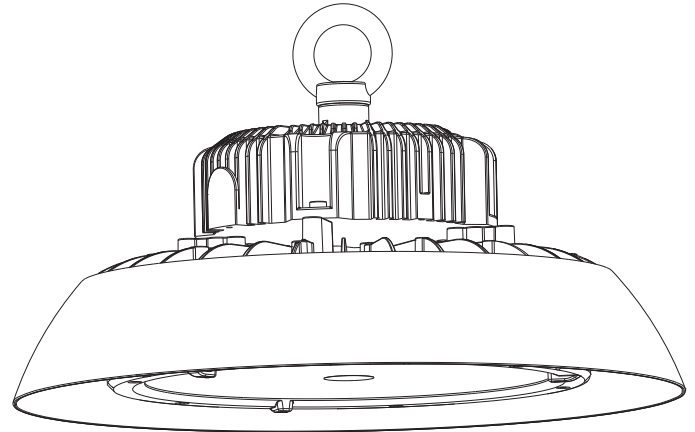
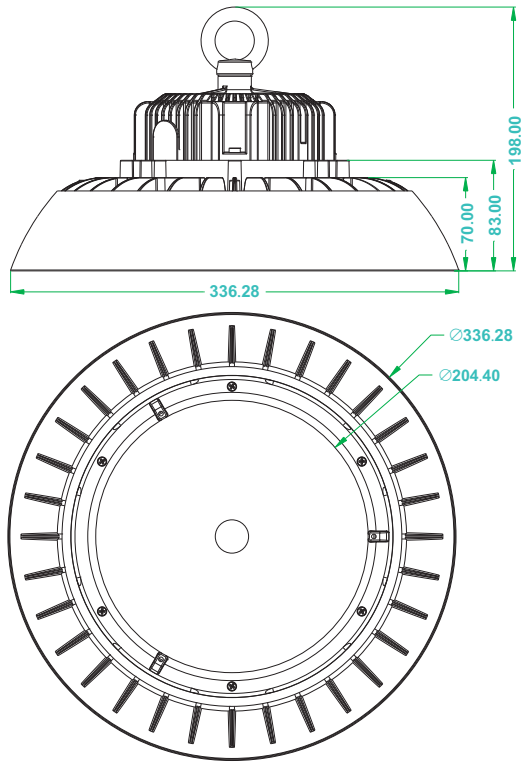


## 90° AL Reflector

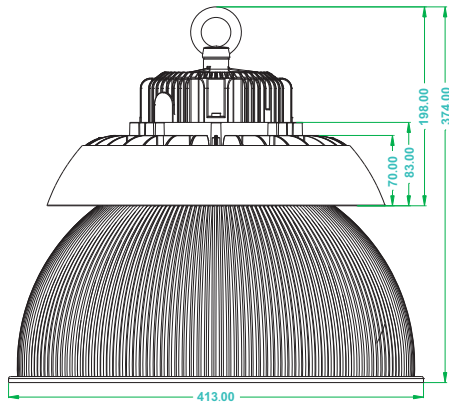




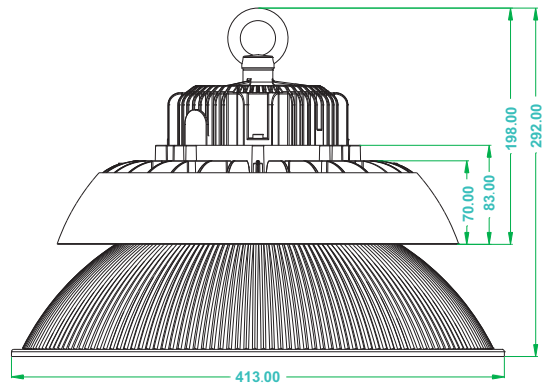
## 200W Size



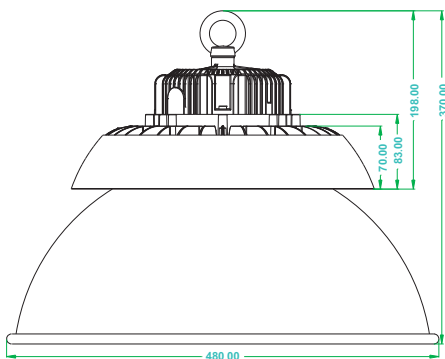
## 60° PC Reflector



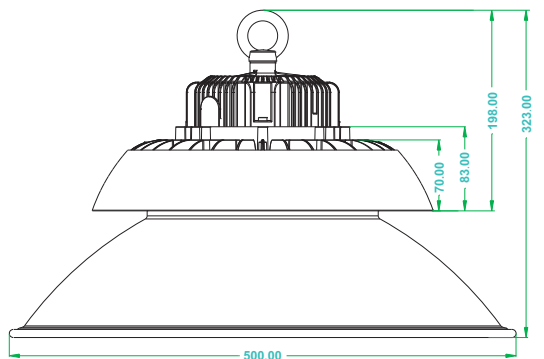
## 90° PC Reflector

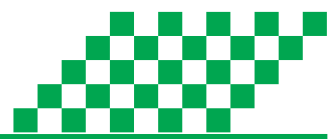


## 60° AL Reflector

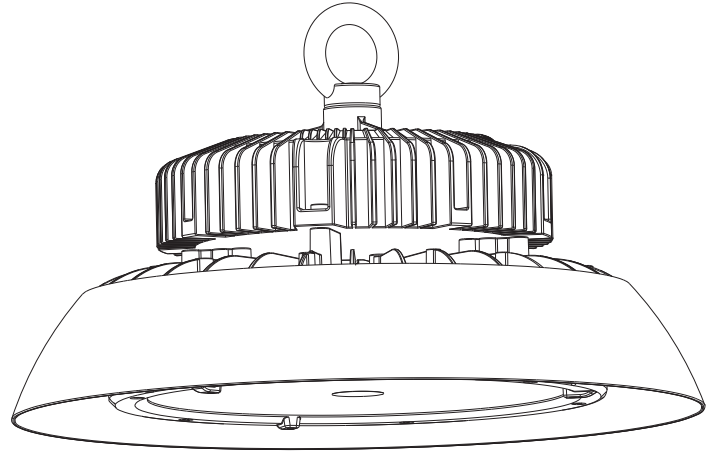
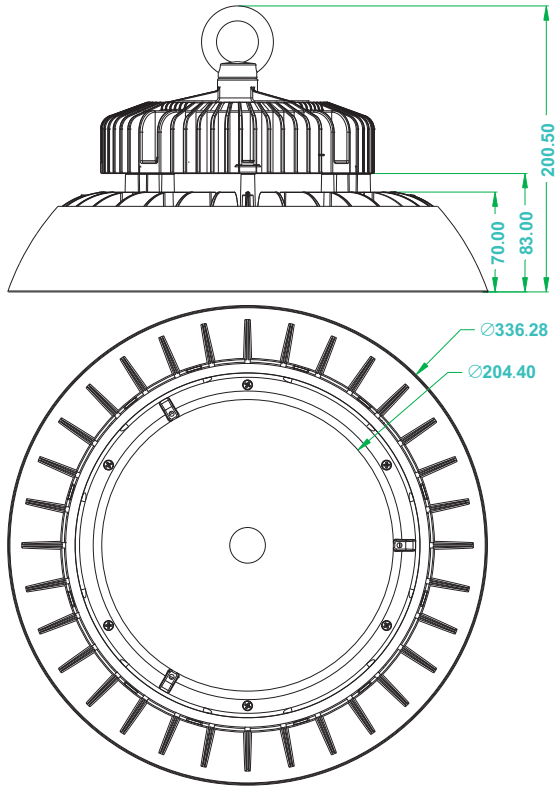


## 90° AL Reflector

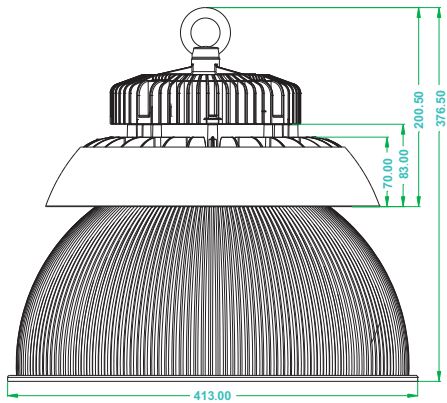




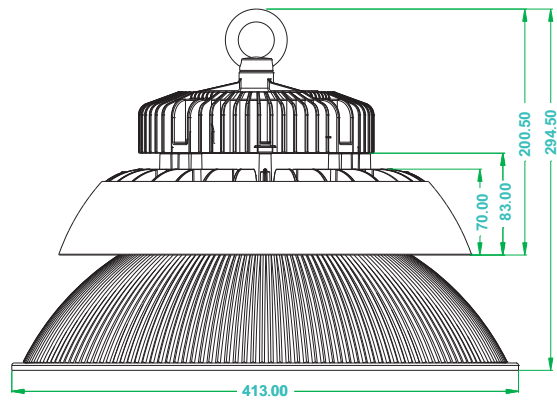
## 240W – 300W Size



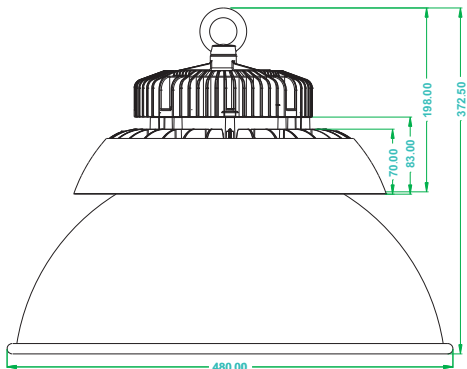
## 60° PC Reflector



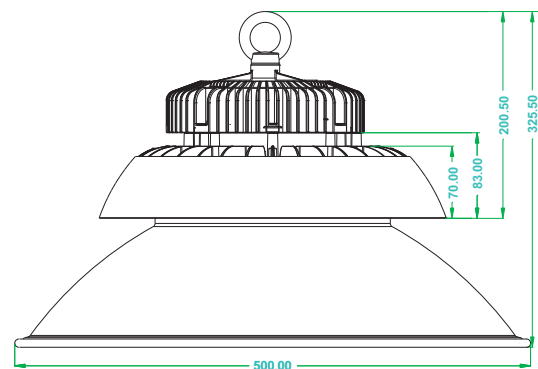
## 90° PC Reflector

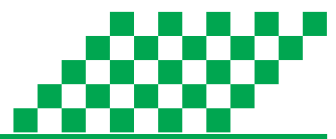


## 60° AL Reflector



## 90° AL Reflector





## Installation method

### Hoisting

<p><b>1</b></p> <p>Drilling a hole in the ceiling,install a hook.</p>	<p><b>2</b></p> <p>Hanging the fixture.</p>	<p><b>3</b></p> <p>Connect the cables.Black-L,White-N,Green-Ground take care of the waterproof processing.</p>
---	---	--

### Ceiling installation

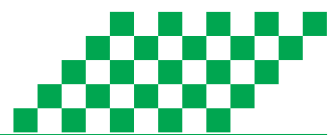
<p><b>1</b></p> <p>Fix the bracket.</p>	<p><b>2</b></p> <p>Connect the cables.Black-L,White-N,Green -Ground take care of the waterproof processing.</p>	<p><b>3</b></p> <p>Adjust the bracket to the beam angle you need.</p>
---	---	---

### Wall mounting

<p><b>1</b></p> <p>Drilling holes in the ceiling,and install the expansion screws</p>	<p><b>2</b></p> <p>walling installation</p>	<p><b>3</b></p>
---	---	-----------------







## Photometrics:

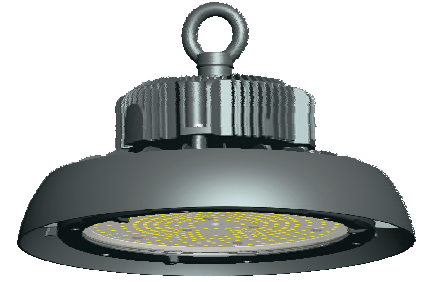
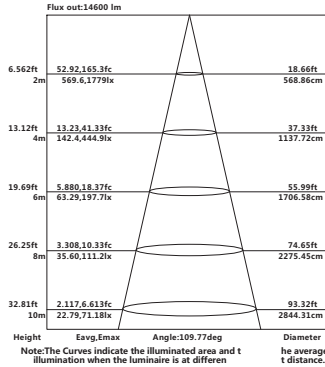
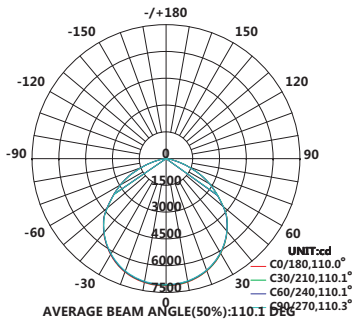
### 150W

#### glass/120

Asymmetrical Width

19,500 Lumens

5000K

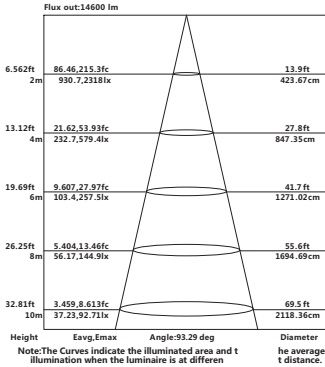
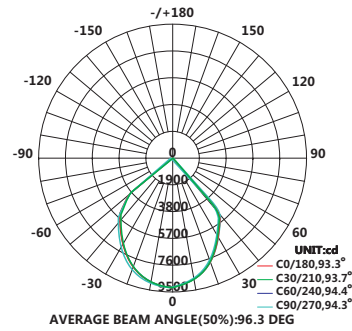


#### 90° AL Reflector

Asymmetrical Wide

19,500 Lumens

5000K

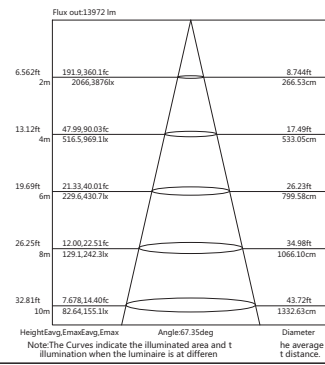
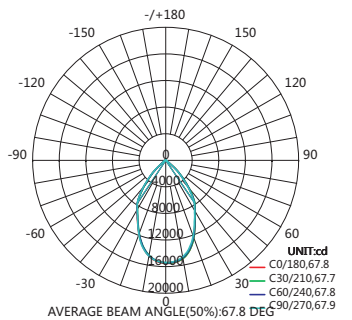


#### 60° AL Reflector

Asymmetrical Ultra Wide

19,500 Lumens

5000K

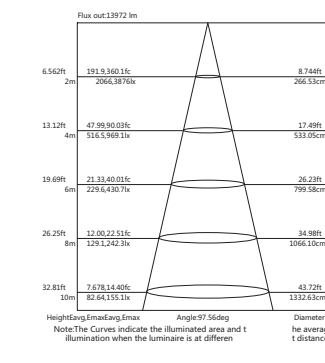
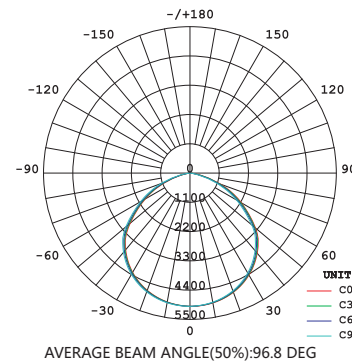


#### 90° PC Reflector

Asymmetrical Wide

19,500 Lumens

5000K

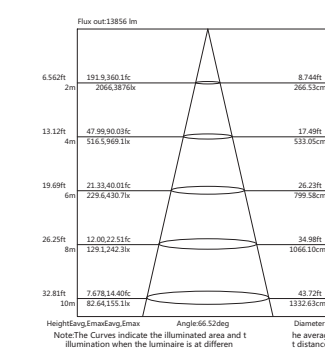
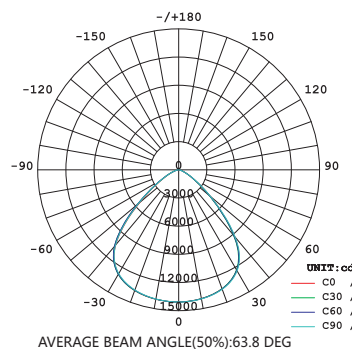


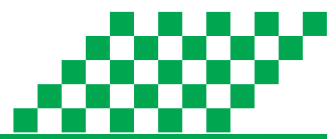
#### 60° PC Reflector

Asymmetrical Ultra Wide

19,500 Lumens

5000K



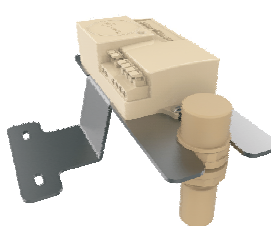
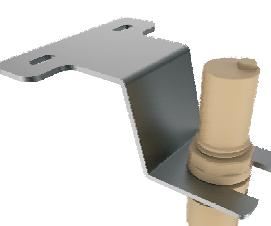
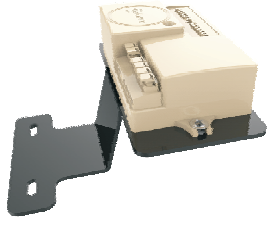













## Application and Control



### Optional components:

 <p><b>Mounting brackets</b></p>	 <p><b>Ip65 microwave sensor</b></p>	 <p><b>Daylight sensor and microwave sensor</b></p>	 <p><b>Daylight sensor</b></p>	 <p><b>Microwave sensor</b></p>
 <p><b>Dust cover</b></p>	 <p><b>90°PC lens</b></p>	 <p><b>60°PC lens</b></p>	 <p><b>Frosted PC cover</b></p>	 <p><b>Frosted glass cover</b></p>

### Intelligent dimming:

 <p><b>0~10VDC PWM</b></p>			 <p><b>Microwave induction</b></p>
---	---	--	---

### Warning:

1. Please read the manual carefully before installation.
2. Please authorize only qualified person or professional engineer to install the fixture.
3. Before installation, Please check if the local voltage range is correspond with the working voltage of the fixture.
4. If the fixture is damaged, it should be replaced by the supplier, a service agent or a qualified person.
5. Please keep the fixture out of fire, electric shock, vibration.
6. To avoid fire, electric shock.

### Product Features:

- ☆ The material of heat sink is high thermal conductivity NO.ADC12 aluminum, good for heat dissipation.
- ☆ The unique design of housing help to speed up the heat dissipation, further ensuring the life of the fixture.
- ☆ The integrated design of appearance makes the fixture looks elegant.
- ☆ This fixture is waterproof, dustproof, anticorrosive.

