



LED Flood Light

Model: PRD-SZ-FL30WAT1-5700K [1;2; 3] [BL;BR]

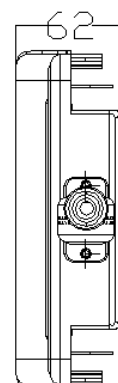
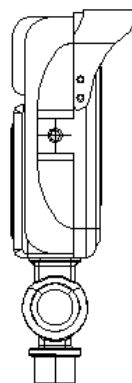
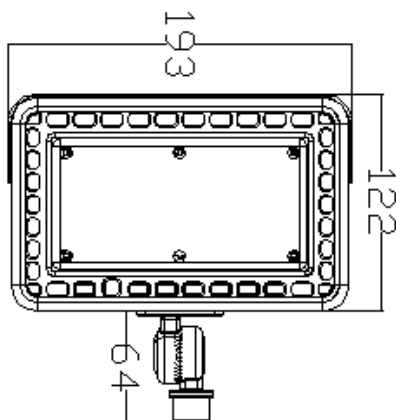
Advantage:

- UL&DLC certificate
- 3030 Chip, high CRI
- Input voltage 100-277VAC
- No UV or IR in the beam
- Easy to install and operate
- Energy saving, long lifespan
- Light is soft and uniform, safe to eyes
- Instant start, NO flickering, NO humming
- Green and eco-friendly without mercury.



Application:

Factory floor, libraries, square, park;
 Supermarkets, railway stations;
 Advertising lighting, etc.





TECHNICAL DATA SHEET

Product Specifications

Product Name	LED Flood Light
Model	PRD-SZ-FL30WAT1-5700K [1;2; 3] [BL;BR]
Dimension	193*122*62mm 7.59" x4.8" x2.44"

Technical Characteristic

Color temperature	5700K
CRI	>80
Lumen	3600-3900LM
Lumen Efficacy	120-130LM/W
Input Power	30W
Viewing Angle	120°
Input Voltage	100-277V 50/60Hz
Driver model	China brand driver
PF	>0.9
Waterproof Rating	IP65

Materials

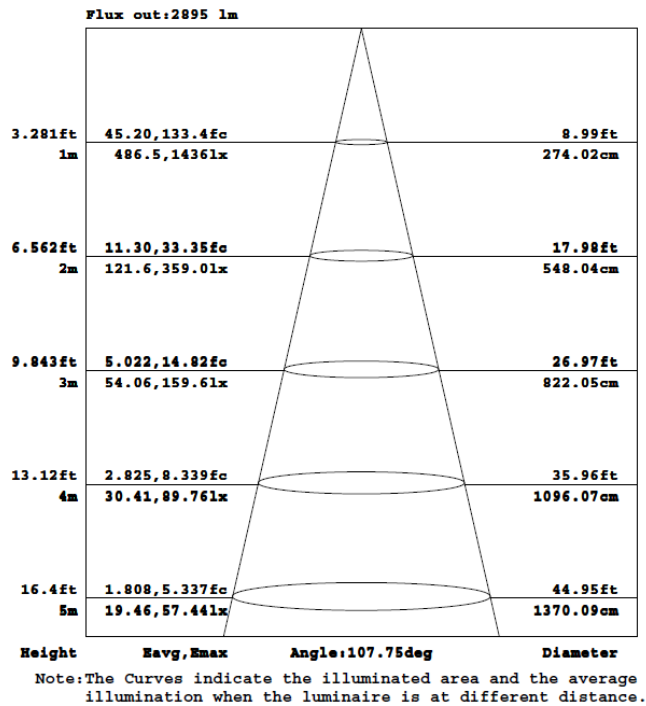
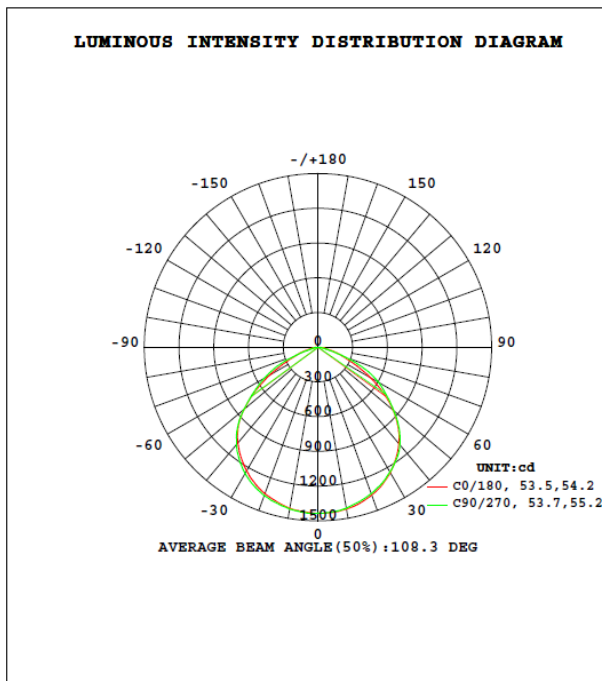
LED Type	3030/1.5W
LED QTY	35PCS
Housing	Aluminum(ADC12) +PC
Housing color	Black
Operating Temperature	-40°C TO 45°C
Operating Humidity	10%-90% RH
Storage Temperature	-40°C TO 80°C

Other

Storage Humidity	10%-95%
Application	Outdoor
Safety Certification	UL&DLC
Warranty Time	5 Years

Light Distribution Testing Parameters

DATA OF LAMP		PHOTOMETRIC DATA Eff: 129.56 lm/W			
MODEL		I _{max} (cd)	1437	S/MH (C0/180)	1.28
NOMINAL POWER (W)	30	LOR (%)	100.0	S/MH (C90/270)	1.30
RATED VOLTAGE (V)	120	TOTAL FLUX (lm)	3736.9	η UP, DN (C0-180)	0.1, 50.6
NOMINAL FLUX (lm)	3736.91	CIE CLASS	DIRECT	η UP, DN (C180-360)	0.1, 49.3
LAMPS INSIDE	1	η up (%)	0.1	CIBSE SHR NOM	1.25
TEST VOLTAGE (V)	120.0	η down (%)	99.9	CIBSE SHR MAX	1.35



Package

Model	Net Weight	Size	Qty/Carton	Weight/Carton
SZ-FL30WAT1-5700K [1;2; 3] [BL;BR]	0.9KG 1.98 lbs	440*420*310mm	16	16.4KG





TECHNICAL DATA SHEET

16PCS

