



LED Flood Light

Model: PRD-SZ-FL50WAT1-5700K [1;2; 3] [BL;BR]

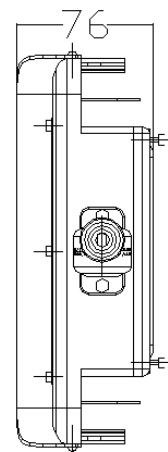
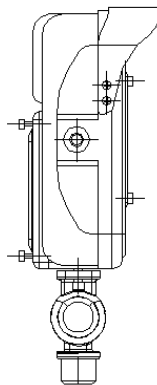
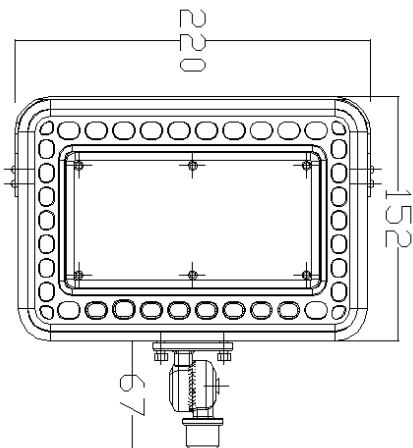
Advantage:

- UL&DLC certificate
- 3030 Chip, high CRI
- Input voltage 100-277VAC
- No UV or IR in the beam
- Easy to install and operate
- Energy saving, long lifespan
- Light is soft and uniform, safe to eyes
- Instant start, NO flickering, NO humming
- Green and eco-friendly without mercury.



Application:

Factory floor, libraries, square, park;
 Supermarkets, railway stations;
 Advertising lighting, etc.





TECHNICAL DATA SHEET

Product Specifications

Product Name	LED Flood Light
Model	PRD-SZ-FL50WAT1-5700K [1;2; 3] [BL;BR]
Dimension	220*152*76mm 8.66" x5.98" x2.99"

Technical Characteristic

Color temperature	5700K
CRI	>80
Lumen	6000-6500LM
Lumen Efficacy	120-130LM/W
Input Power	50W
Viewing Angle	120°
Input Voltage	100-277V 50/60Hz
Driver model	China brand driver
PF	>0.9
Waterproof Rating	IP65

Materials

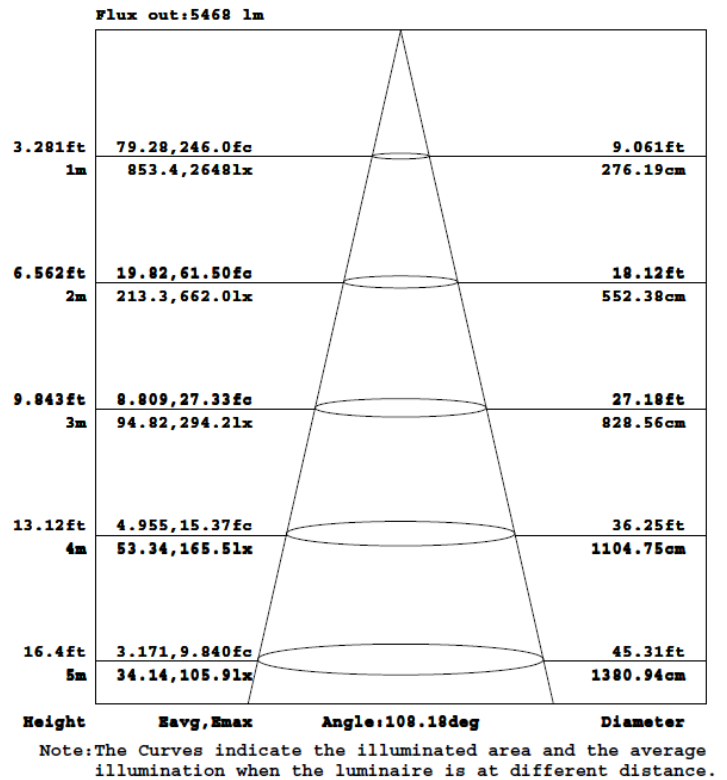
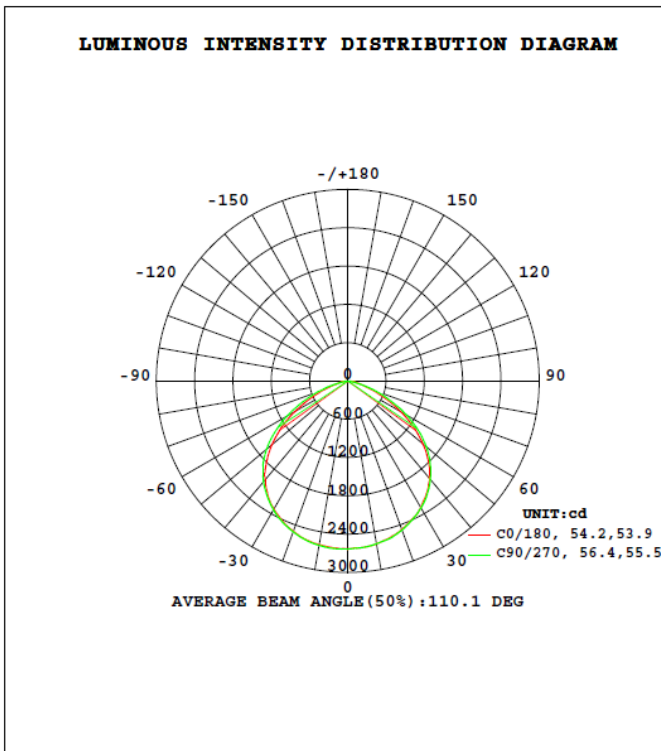
LED Type	3030/1.5W
LED QTY	60PCS
Housing	Aluminum(ADC12) +PC
Housing color	Black
Operating Temperature	-40°C TO 45°C
Operating Humidity	10%-90% RH
Storage Temperature	-40°C TO 80°C

Other

Storage Humidity	10%-95%
Application	Outdoor
Safety Certification	UL&DLC
Warranty Time	5 Years

Light Distribution Testing Parameters

DATA OF LAMP		PHOTOMETRIC DATA Eff: 133.25 lm/W			
MODEL		Imax (cd)	2635	S/MH (C0/180)	1.31
NOMINAL POWER (W)	50	LOR (%)	100.0	S/MH (C90/270)	1.31
RATED VOLTAGE (V)	120	TOTAL FLUX (lm)	6978.5	η UP, DN (C0-180)	0.1, 49.5
NOMINAL FLUX (lm)	6978.53	CIE CLASS	DIRECT	η UP, DN (C180-360)	0.1, 50.4
LAMPS INSIDE	1	η up (%)	0.2	CIBSE SHR NOM	1.25
TEST VOLTAGE (V)	120.0	η down (%)	99.8	CIBSE SHR MAX	1.35



Package

Model	Net Weight	Size	Qty/Carton	Weight/Carton
SZ-FL50WAT1-5700K [1;2; 3] [BL;BR]	1.5KG 3.31 lbs	490*460*370cm	16	25.6KG



TECHNICAL DATA SHEET



16PCS

