



LED Parking Lot Light

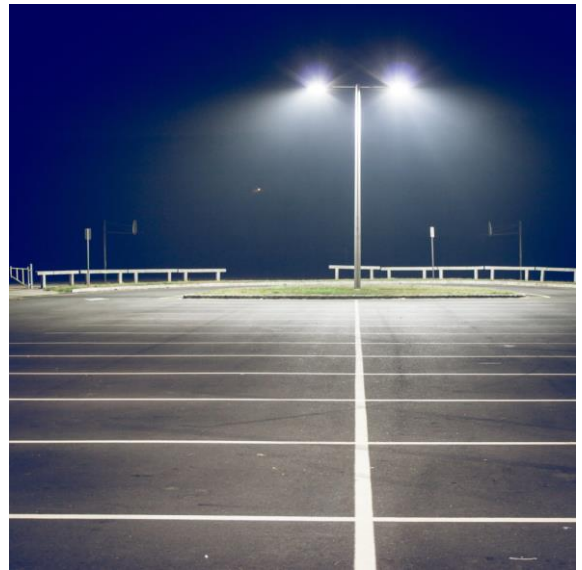
Model: PRD-SZ-PK150W-SSL3-ZS[1;2;3;4]5000K (1.5)

Advantage:

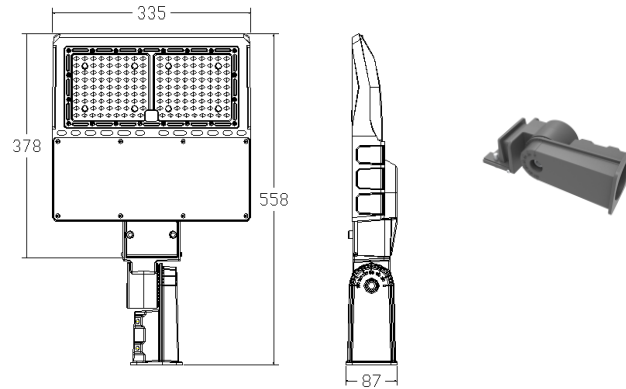
- UL&DLC certificate
- 3030 Chip, high CRI
- Input voltage 100-277VAC
- No UV or IR in the beam
- Easy to install and operate
- Energy saving, long lifespan
- Light is soft and uniform, safe to eyes
- Instant start, NO flickering, NO humming
- Green and eco-friendly without mercury.

Application:

Outdoor basketball court, tennis court.
Badminton court, the football field.
The school playground, stadium.
Community leisure entertainment plaza,
road lamp etc.



Unit: mm



Product Specifications

Product Name	LED parking lot light
Model	SZ-PK150W-SSL3-ZS[1;2;3;4]5000K (1.5)
Dimension	558*335*76mm 21.96x13.18x2.99 inches

Technical Characteristic

Color temperature	5000K
CRI	>70
Lumen	19500LM
Lumen Efficacy	130LM/W
Input Power	150W
Viewing Angle	Type III
Input Voltage	100-277V 50/60Hz
Driver model	SOSEN Driver (1-10Vdc Dimmer / Surge protector)
Optional Accessory	/
Mounting Option	Slip Fitter
PF	>0.9
Waterproof Rating	IP65



TECHNICAL SPECIFICATION

Materials

LED Type	3030/1.5W
LED QTY	154PCS
Housing	Aluminum(ADC12) +PC
Housing color	Brown
Operating Temperature	-40°C TO 45°C
Operating Humidity	10%-90% RH
Storage Temperature	-40°C TO 80°C

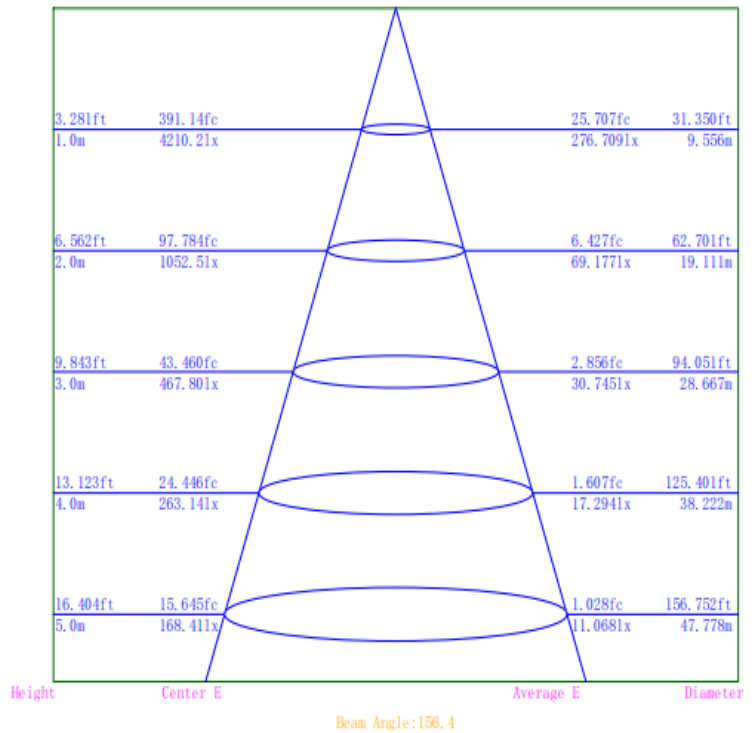
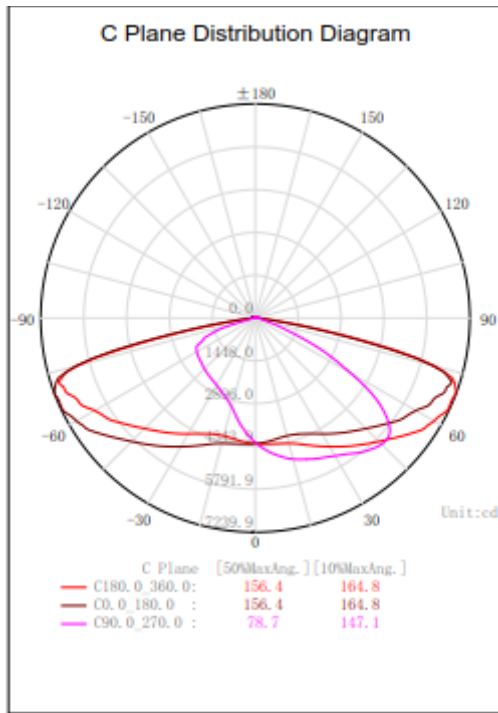
Other

Storage Humidity	10%-95%
Application	Outdoor
Safety Certification	UL&DLC
Warranty Time	5 Years

Light Distribution Testing Parameters

Character Parameter

Lamp Speciality Parameter	Luminaire Speciality Parameter	
Rated Flux (lm): 20594.449	Luminary Flux (lm): 20594.449	Field Angle(10%Imax): 164.8(°)
Rated Power (W): 150	Luminary Efficiency: 100.00%	Down Lumens&Percent: 20173.374lm 97.96%
Rated Voltage (V): 120	Luminary EER (lm/W): 131.175	Up Lumens&Percent: 421.075lm 2.04%
Tested Power (W): 157.000	Max. Candela (cd): 7239.886	S/MH: C0_a180=1.889 C90_270=1.451
Lamps' Inside: 1	Max Cand@Ang. (°): C=180.0 γ=69.0	CIE Type: Semi-Direct
Tested Electrics (V, A, pf): 119.5, 1.315, 0.999	Beam Angle (50%Imax): 156.4(°)	ErP Φ use (120°): 14126.555lm
Lamp Size (W*L*H): 0.260m*0.155m*0.000m	Left=-78.0°, Right=78.4°	IRF (%): 96.390



Package

Model	Net Weight	Carton Size	Qty / Carton	Gross Weight
SZ-PK150W-SSL3-ZS[1;2;3;4]5000K (1.5)	6.5KG 14.33 lbs	610*380*140mm 24.01x14.96x5.51	1 PC	7.3KG 16.09 lbs

