



## LED Parking Lot Light

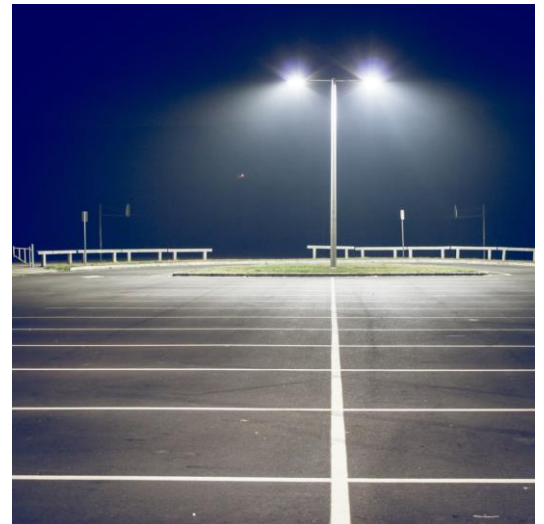
Model : PRD-SZ-PK300W-SSL3-ZPS [1, 2, 3, 4] 5000K (1.5)

### Advantage:

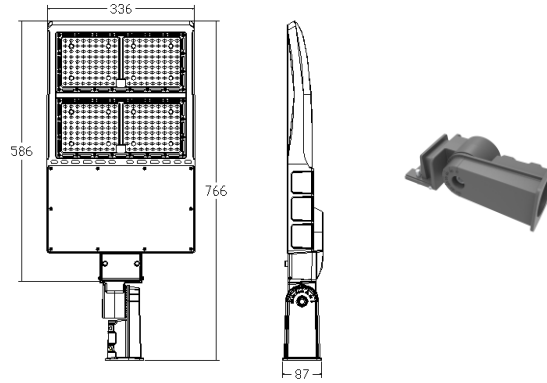
- UL&DLC certificate
- 3030 Chip, high CRI
- Input voltage 100-277VAC
- No UV or IR in the beam
- Easy to install and operate
- Energy saving, long lifespan
- Light is soft and uniform, safe to eyes
- Instant start, NO flickering, NO humming
- Green and eco-friendly without mercury.

### Application:

Outdoor basketball court, tennis court.  
Badminton court, the football field.  
The school playground, stadium.  
Community leisure entertainment plaza,  
road lamp etc.



Unit: mm



## Product Specifications

Product Name	LED parking lot light
Model	SZ-PK300W-SSL3-ZPS[1, 2, 3, 4]5000K (1.5)
Dimension	766*336*81mm 30.15x13.22x3.18 inches

## Technical Characteristic

Color temperature	5000K
CRI	>70
Lumen	39000LM
Lumen Efficacy	130LM/W
Input Power	300W
Viewing Angle	Type III
Input Voltage	100-277V 50/60Hz
Driver model	SOSEN Driver (1-10Vdc Dimmer / Surge protector)
Optional Accessory	Photocell
Mounting Option	Slip Fitter
PF	>0.9
Waterproof Rating	IP65



# TECHNICAL SPECIFICATION

## Materials

LED Type	3030/1.5W
LED QTY	308PCS
Housing	Aluminum(ADC12) +PC
Housing color	Brown
Operating Temperature	-40°C TO 45°C
Operating Humidity	10%-90% RH
Storage Temperature	-40°C TO 80°C

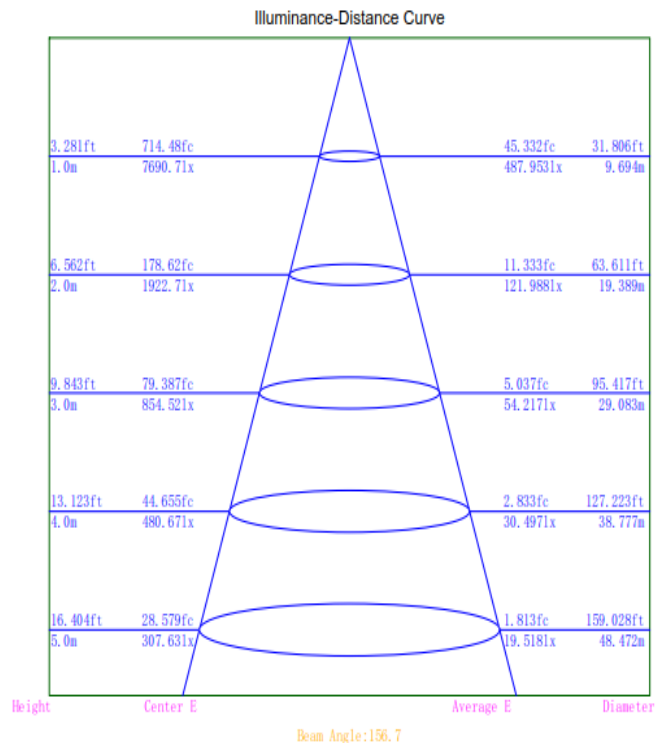
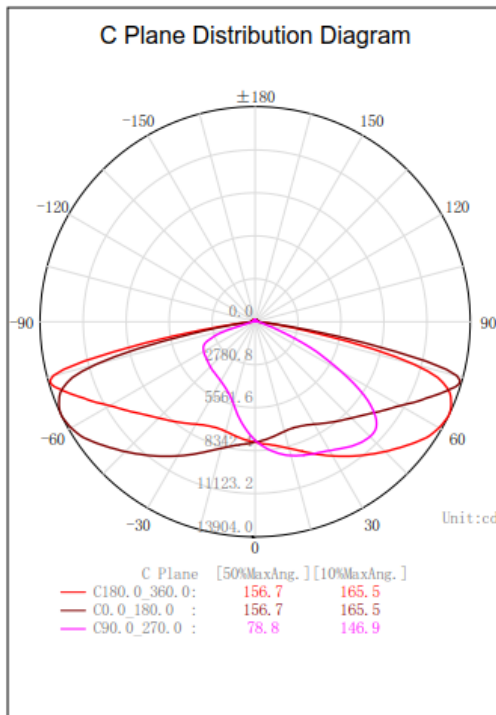
## Other

Storage Humidity	10%-95%
Application	Outdoor
Safety Certification	UL&DLC
Warranty Time	5 Years

## Light Distribution Testing Parameters

### Character Parameter

Lamp Speciality Parameter	Luminaire Speciality Parameter	
Rated Flux(lm) : 37380.352	Luminary Flux(lm) : 37380.352	Field Angle(10%Imax) : 165.5(°)
Rated Power(W) : 300	Luminary Efficiency : 100.00%	Down Lumens&Percent : 36610.8291m 97.94%
Rated Voltage(V) : 120	Luminary EER(lm/W) : 133.549	Up Lumens&Percent : 769.5231m 2.06%
Tested Power(W) : 279.900	Max. Candela(cd) : 13903.966	S/MH: CO_a180=1.893 C90_270=1.378
Lamps' Inside: 1	Max Cand@Ang. (°) : C=180.0 γ=64.0	CIE Type: Semi-Direct
Tested Electrics(V, A, pf) : 119.4, 2.348, 0.999	Beam Angle(50%Imax) : 156.7(°)	ErP φuse(120°) : 25709.8861m
Lamp Size(W*L*H) : 0.260m*0.320m*0.000m	Left=-79.2°, Right=77.5°	IRF(%) : 102.127



### Package

Model	Net Weight	Carton Size	Qty / Carton	Gross Weight
SZ-PK300W-SSL3-ZPS[1;2;3;4]5000K (1.5)	10.2KG 22.48 lbs	820*380*140mm 32.28x14.96x5.51 inches	1 PC	11.3KG 24.91 lbs

