

TECHNICAL SPECIFICATION

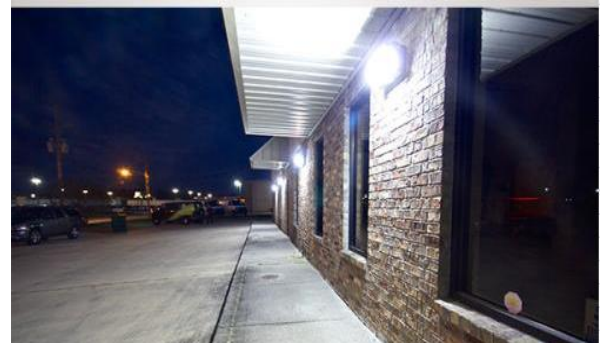


LED Wall Pack

Model : PRD-SZ-WP120WA-5000K

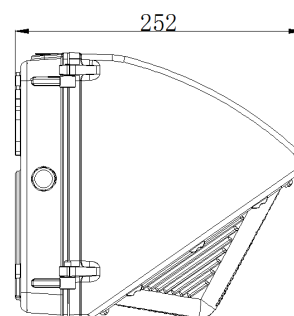
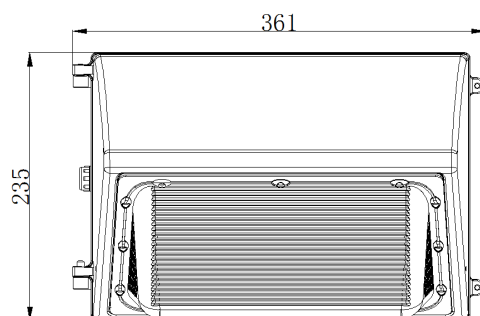
Advantage:

- UL&DLC certificate;
- IP65 Internal driver,
- Input voltage 100-277VAC;
- No UV or IR in the beam;
- Easy to install and operate;
- Energy saving, long lifespan;
- Light is soft and uniform, safe to eyes;
- Instant start, NO flickering, NO humming;
- Green and eco-friendly without mercury.



Application:

Entrance lighting, courtyard lighting;
Industrial lighting, Outdoor landscape lighting;
Building, The hotel;
Wall lighting area and so on.





TECHNICAL SPECIFICATION

Specifications

Product name	LED Wall Pack
Part No	SZ-WP120WA-5000K
Dimension	361*235*252mm 14.21x9.25x9.92 inches

Technical Characteristic

Color temperature	5000K
CRI	>70
Lumen	14400LM
Lumen Efficacy	120LM/W
Input Power	120W
Viewing Angle	110 Degree
Input Voltage	100-277VAC 50/60Hz
PF	>0.9
Waterproof Rating	IP65

Materials

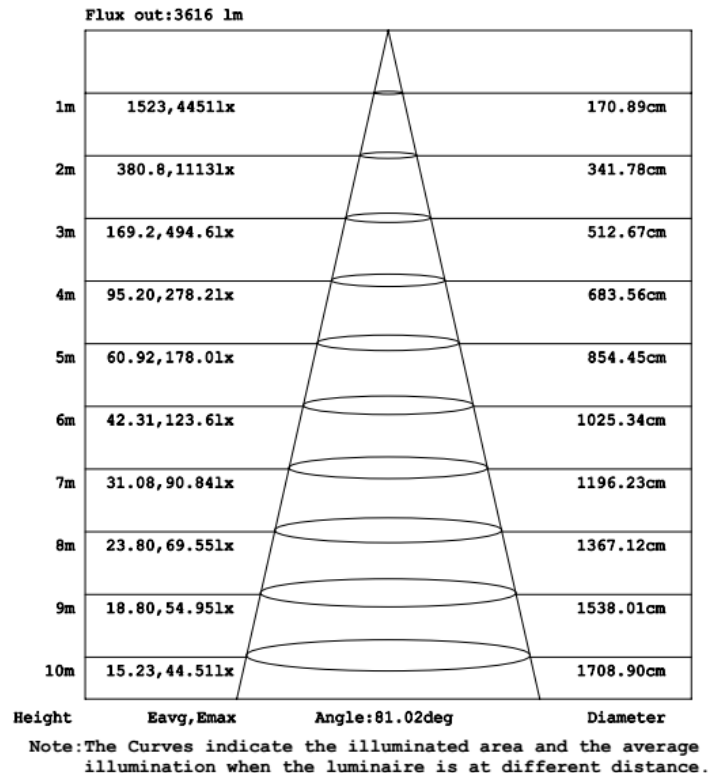
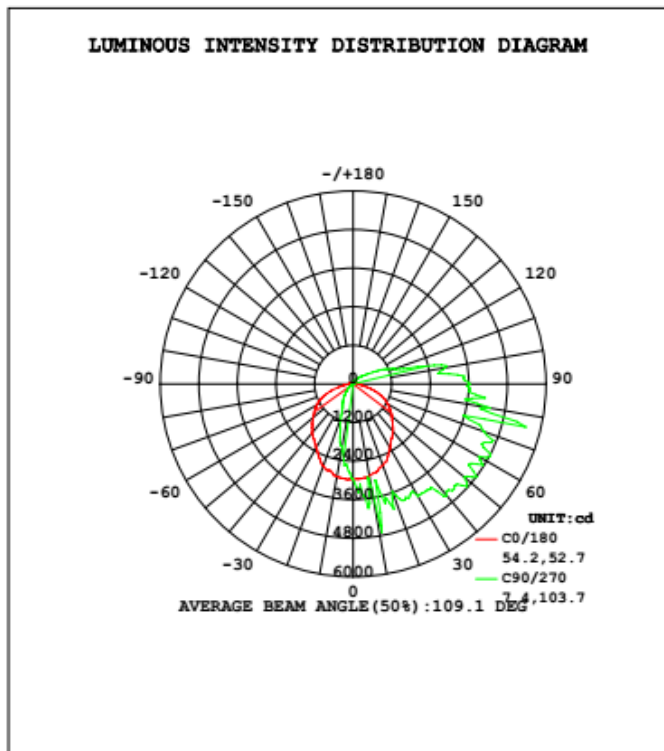
LED Type	2835/0.5W
LED QTY	420 PCS
Housing	Aluminum(ADC12) +PC
Housing color	Brown

Others

Operating Temperature	-20°C TO 45°C
Operating Humidity	20%-90% RH
Storage Temperature	-30°C TO 80°C
Storage Humidity	10%-95%
Application	Outdoor / Indoor
Safety Certification	UL&DLC
Warranty Time	5 Years

Light Distribution Testing Parameters

DATA OF LAMP		PHOTOMETRIC DATA Eff: 120.33 lm/W			
MODEL		I _{max} (cd)	5540	S/MH (C0/180)	1.17
NOMINAL POWER (W)	120	LOR (%)	100.0	S/MH (C90/270)	0.52
RATED VOLTAGE (V)	120.0	TOTAL FLUX (lm)	13212	η UP, DN (C0-180)	16.9, 69.9
NOMINAL FLUX (lm)	13212.5	CIE CLASS	SEMI-D.	η UP, DN (C180-360)	0.5, 12.6
LAMPS INSIDE	1	η up (%)	17.4	CIBSE SHR NOM	1.00
TEST VOLTAGE (V)	120.0	η down (%)	82.6	CIBSE SHR MAX	1.15



TECHNICAL SPECIFICATION

Package

Model	Net Weight	Carton Size	Qty / Carton	Gross Weight
SZ-WP120WA-5000K	3.5Kg 7.71 lbs	400*300*320mm 15.74x11.81x12.59 inches	1	4.9 KG 10.80 lbs

